

## Highlights

- ThermoJacket withstands ambient temperatures up to 315°C (600°F)
- Thermal or mechanical environmental protection for MR, MM, TX or XR sensing heads
- Air/water cooling and air purge in one unit

# ThermoJacket

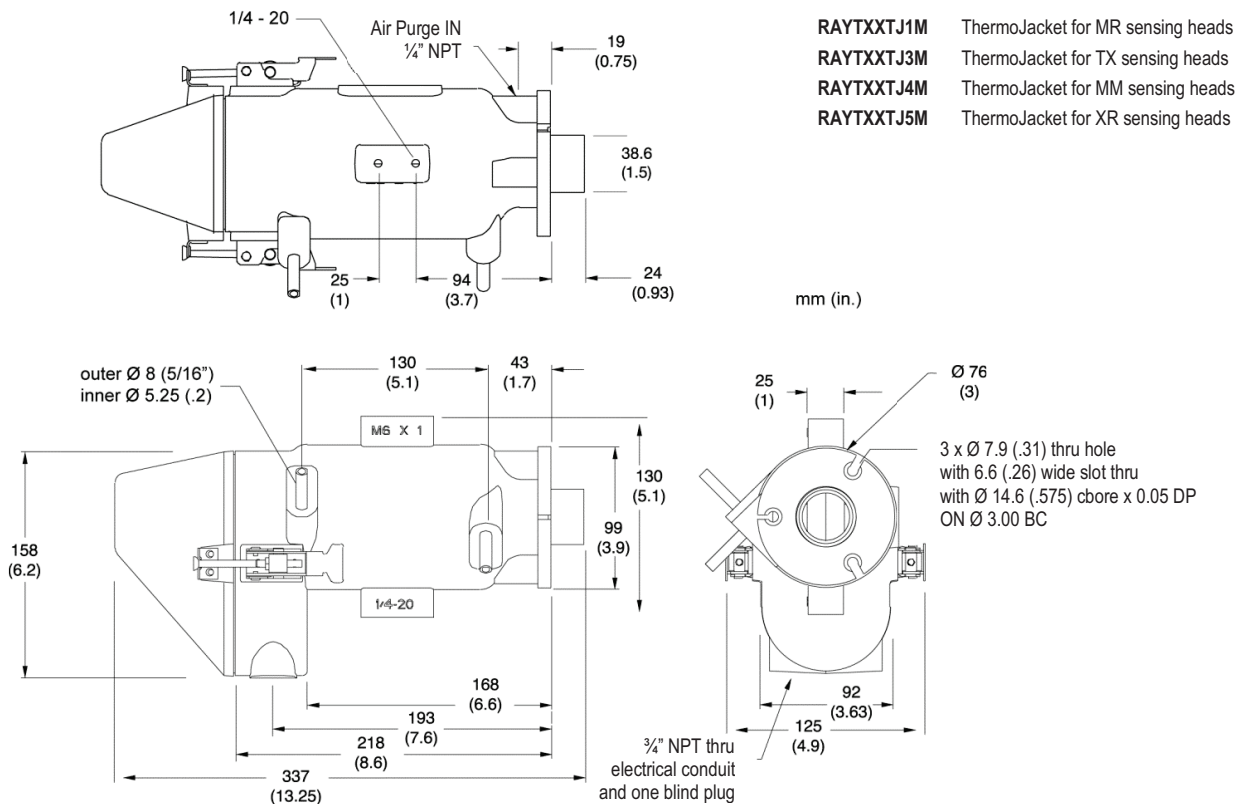
## Datasheet



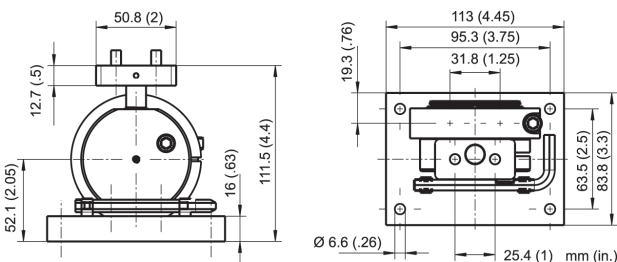
### Specifications

<b>Ambient Temperature</b>	
with water cooling	up to 315°C (600°F)
with air cooling	up to 115°C (240°F)
<b>Air Purge Flow</b>	
	35 – 48 l / min (9.2 to 12 gallon / min.)
<b>Coolant Pressure</b>	
Water Cooling	275 to 860 kPa (40 to 125 psi)
Air Cooling	550 to 827 kPa (80 to 120 psi)
<b>Weight</b>	
	3.7 kg (8.2 lb) without adjustable mounting base

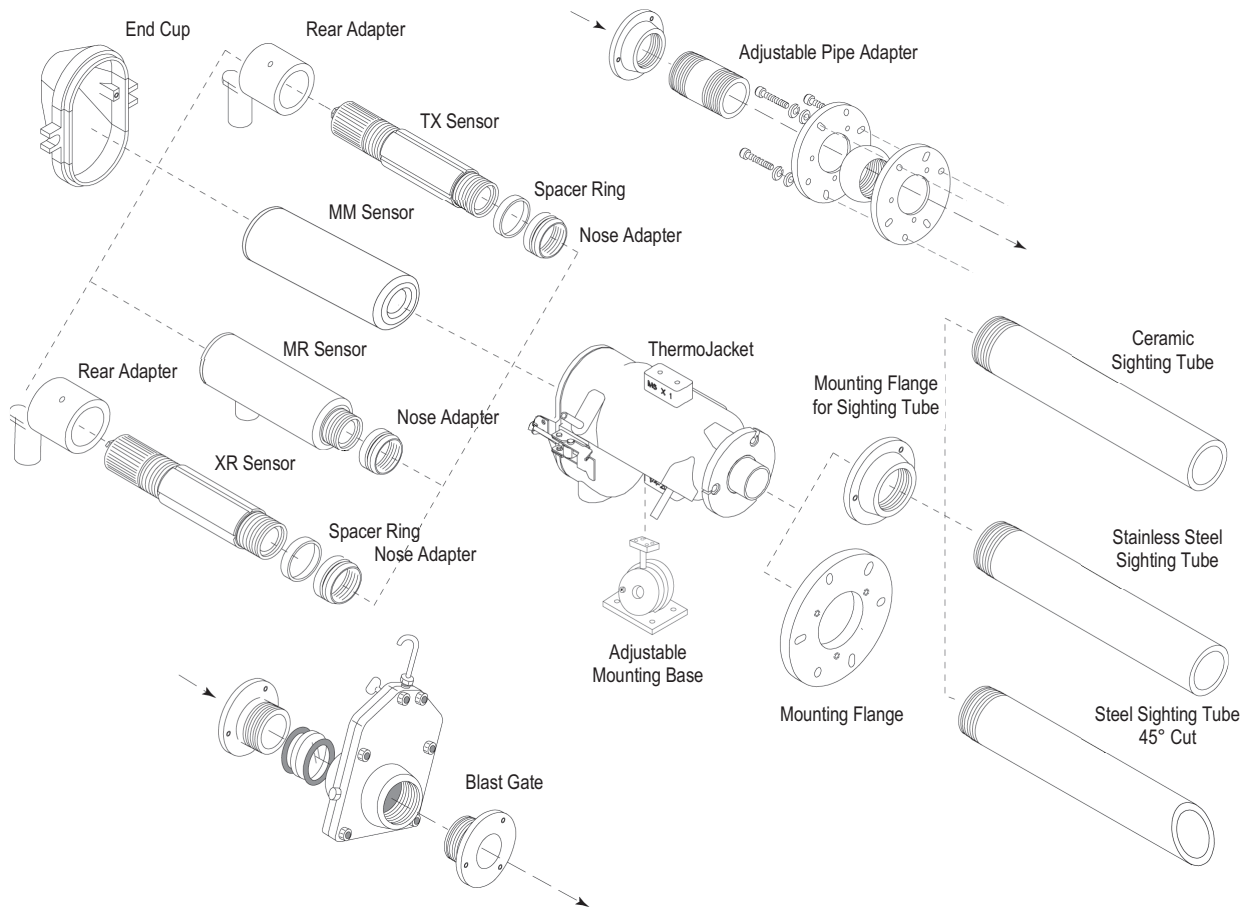
### Dimensions



### Adjustable Mounting Base (XXXTXMB)



## Accessories Overview



### Accessories

**Sighting Tubes:** for environments where reflected energy is a problem.

- Ceramic Sighting Tube, 305 mm / 12 in long (XXXTST12)
- Stainless Steel Sighting Tube, 305 mm / 12 in long (XXXTSTC12)
- Steel Sighting Tube with 45° cut, 305 mm / 12 in long (BEESIGHT)

**Mounting Flanges:**

- Mounting Flange (XXXTXXMF)
- Mounting Flange for Sighting Tube (XXXTXXMST)

**Blast Gates:**

- Blast Gate with Quartz Window, max. 870°C (1600°F), for 1M, 2M, HT (XXXTXXGTQ)
- Blast Gate with Amtir Window, max. 300°C (570°F), for LT, MT, G5, P7 (XXXTXXGTA)

**Regulators:**

- Air Pressure Regulator, max. pressure 10 bar (150 psi), max. temperature 50°C (122°F), filter size 5 µm (XXXTXXAR)
- Air Flow Regulator, max. pressure 7 bar (10 psi), max. temperature 38°C (100°F) (XXXTXXCAFR)
- Water Flow Regulator, max. pressure 7 bar (10 psi), max. temperature 38°C (100°F) (XXXTXXWR)

**Adjustable Pipe Adapter (XXXTXXAPA)**

### Required Coolant Flow

Ambient Temp.	Water Cooling	Air Cooling
93°C (200°F)	0.3 l / min (0.08 gallon / min)	95 l / min (25 gallon / min)
121°C (250°F)	0.6 l / min (0.16 gallon / min)	110 l / min (29 gallon / min)
149°C (300°F)	1.0 l / min (0.26 gallon / min)	120 l / min (31.7 gallon / min)
232°C (450°F)	1.3 l / min (0.34 gallon / min)	
315°C (600°F)	2.0 l / min (0.53 gallon / min)	

coolant temperature of 20°C (68°F) at inlet

[www.raytek.com](http://www.raytek.com)

55525, Rev. D2, Aug 2014 – Raytek and the Raytek logo are registered trademarks of Raytek Corporation. Specifications subject to change without notice. Raytek is ISO 9001 certified.

**Worldwide Headquarters**  
 Santa Cruz, CA USA  
 Tel: +1 831 458 – 3900  
 +1 800 227 – 8074  
[solutions@raytek.com](mailto:solutions@raytek.com)

**European Headquarters**  
 Berlin, Germany  
 Tel: +49 30 47 80 08 0  
 Fax: +49 30 4 71 02 51  
[raytek@raytek.de](mailto:raytek@raytek.de)



**United Kingdom**  
[ukinfo@raytek.com](mailto:ukinfo@raytek.com)

**France**  
[info@raytek.fr](mailto:info@raytek.fr)

**Raytek®**  
 A Fluke Company